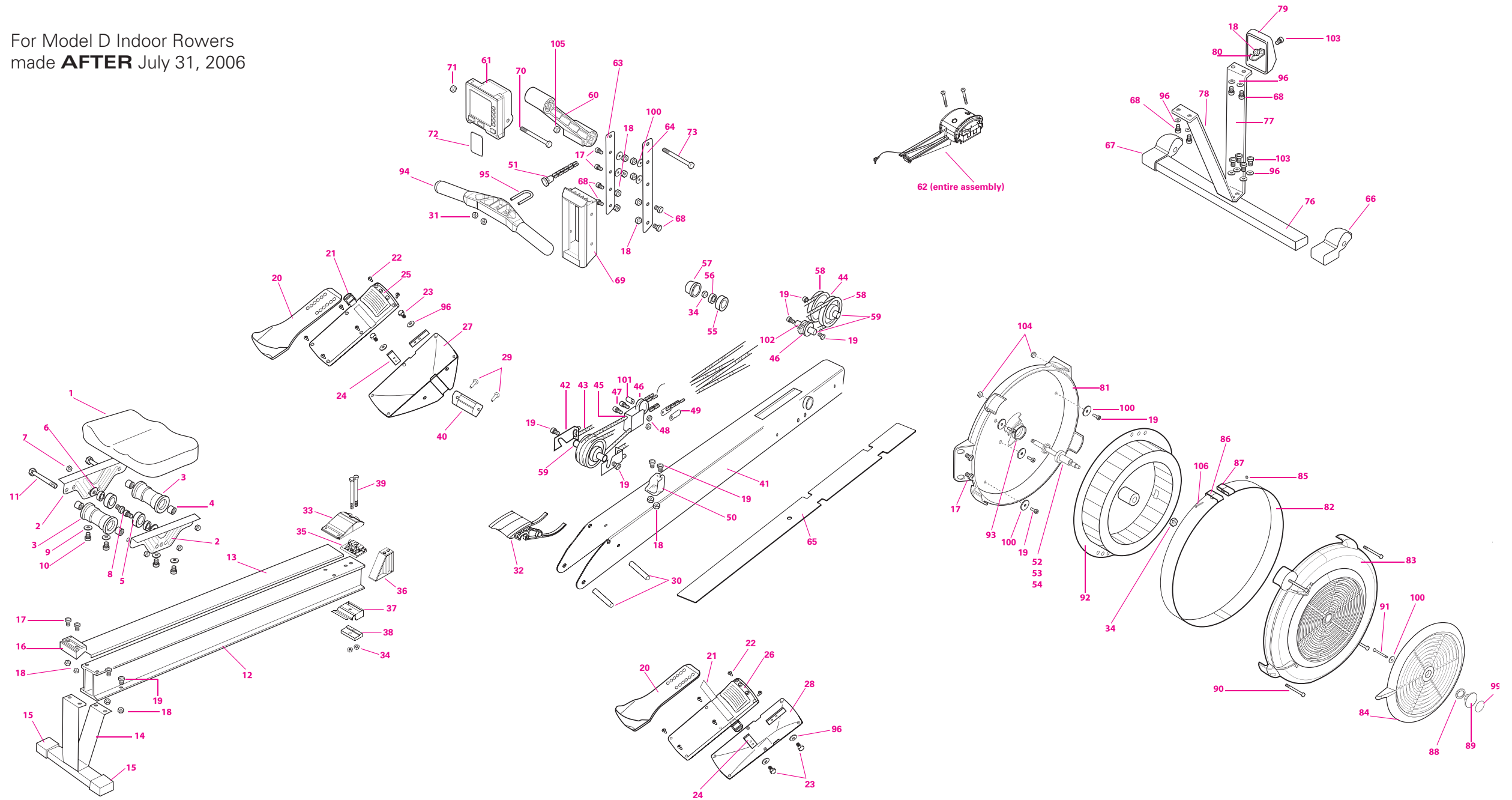


For Model D Indoor Rowers  
made **AFTER** July 31, 2006



	PN	Description
1	1494	Seat Top
2	1138	Seat Carriage Left
	1137	Seat Carriage Right
3	1724	Top Roller
4	1302	Seat Spacer
5	1725	Bottom Roller
6	125	Washer 3/8
7	1209	Nut 3/8 - 16 BC Nylock
8	1208	Screw 3/8 - 16 x 1.25 Low Profile SH
9	1246	#10 External Lock Washer
10	1207	Screw SL HWMS 10/24 x 1/2 Patch
11	1211	Screw 3/8 - 16 x 4.5 BC
12	1134	Monorail Raw Model D2
13	1127	Track Stainless C/D/E
14	1133	Rear Leg Raw Model D2
15	1044	Rear Foot D2/E
16	1008	Rear Bumper
17	1201	Buttonhead Screw 1/4 - 20 x 3/4 SS Patch C/D/E
18	1213	Nut 1/4 - 20 ZP
19	1231	Buttonhead Screw 1/4 - 20 x 1/2 SS Patch C/D/E
20	1063	Flexfoot Grey D2 & E
21	1517	Footstrap with Buckle (one per side)
22	1241	10 x 1/2 TFS screw
23	1243	1/4 - 20 x 5/8 HCS GR .5 ZP
24	1139	Reinforcing Bracket (two per side)
25	1055	Cover Foot Stretcher Left
26	1054	Cover Foot Stretcher Right
27	1057	Belly Left Footstretcher
28	1056	Belly Right Footstretcher
29	1242	10 x 3/4 TFS screw
30	1101	Hanger Shaft Threaded
31	1235	Nut 1/4 - 20 Nylock SS
32	1041	Mouse
33	1038	Upper Hanger Plastic
34	1244	Nut 3/8 - 16 ZP Nylock Zinc
35	1153	Upper Die Cast Hanger
36	1062	Monorail Bolt Support
37	1039	Lower Hanger Plastic
38	1154	Lower Die Cast Hanger
39	1204	Screw 3/8 - 16 x 5.5 ZP GR5
40	1037	Compression Member
41	1129	Box Frame D2
42	1104	SCAM
43	1731	Shock Cord
44	1310	SC Pulley Spacer
45	1111	Traveling Pulley Housing
46	1024	Chain Idler Pulley
47	1206	Traveling Pulley Screws (x2)
48	1249	1/4 Nylock Jam Nut (x2)

49	285	Chain Connector Small
50	1058	Handle Hook Model D2/E
51	1311	Chain with Swivel C/D/E
52	1165	Axle D/E
53	1163	Sprocket Quiet 14 Tooth D/E
54	1300	Bearing 6003 ZZ C/D/E
55	1013	R8 Bearing Cup
56	232	Bearing R8 ZZ B/C/D/E
57	1010	Bearing Cover
58	1011	Shock Cord Pulley
59	1130	Shock Cord / Idler Pulley Axle
60	1025	Monitor Arm Black
61	1874	PM3 Monitor RoHS
62	1887	Power Generator Assembly
63	1168	Guide Bracket Right
64	1169	Guide Bracket Left
65	1526	Return Mechanism Cover
66	1059	Footcaster Right
67	1060	Footcaster Left
68	1253	Buttonhead Screw 1/4 - 20 x 1/2 SS C/D/E
69	1003	Chain Guide
70	1268	HCS 3/8 x 3 SS Waxed
71	1271	Hexnut 3/8 - 16 SS
72	1810	Logcard with Sleeve
76	1108	Front Foot Raw D2
77	1173	Leg Front Long D
78	1172	Leg Front Short D
79	1009	End Cap
80	1131	End Cap Hook
81	1031	Flywheel Cover Back D
82	1164	Outlet Perf D
83	1032	Flywheel Cover Front D
84	1061	Damper D2 / E
85	1275	#6 Nut Stainless Steel
86	1035	Perf Connector Screw Side
87	1036	Perf Connector Nut Side
88	1278	Wave Washer
89	1067	Hub Cap Model D2 / E
90	1276	Flywheel Cover Bolt 10 x 3 Pan PH SS (x4)
91	1273	Damper Screw 10 x 3/4 Pan PH Type B SS
92	1940	Flywheel Assembly (machine made prior to 10/30/06)
	2940	Flywheel Assembly (machine made 10/30/06 or later)
93	1012	17mm Bearing Rubber Cup
94	1042	Handle
95	244	U Bolt
96	1205	Lock Washers (8)
99	1534	Flywheel Assembly (machine made prior to 10/30/06)
100	1232	Fender Washer 1/4 x 1 1/4 BX
101	1303	Traveling Pulley Spacer
102	1305	Idler Pulley Spacer (x2)
103	1248	Screw 1/4 - 20 3/4 SS Buttonhead C/D/E
104	327	Nut #10 SS (4)
105	1270	Nylock 3/8 - 16 SS
106	1274	Pan PH #6 x 2 SS