

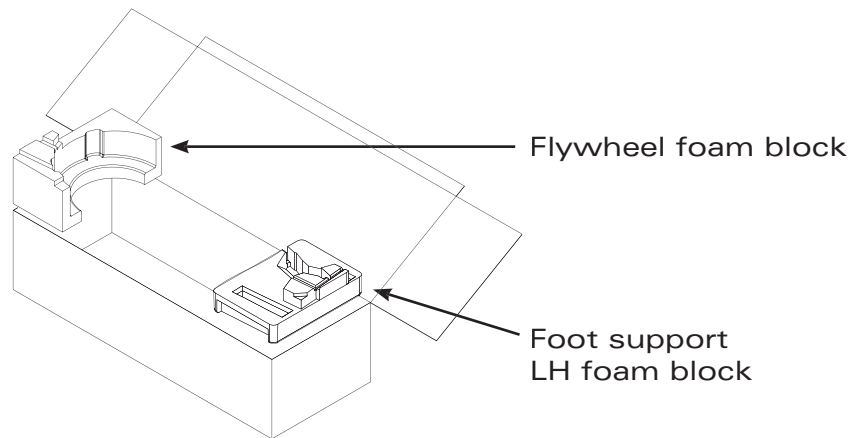
REBOXING YOUR INDOOR ROWER

applies to all Model Ds built after July 31, 2006

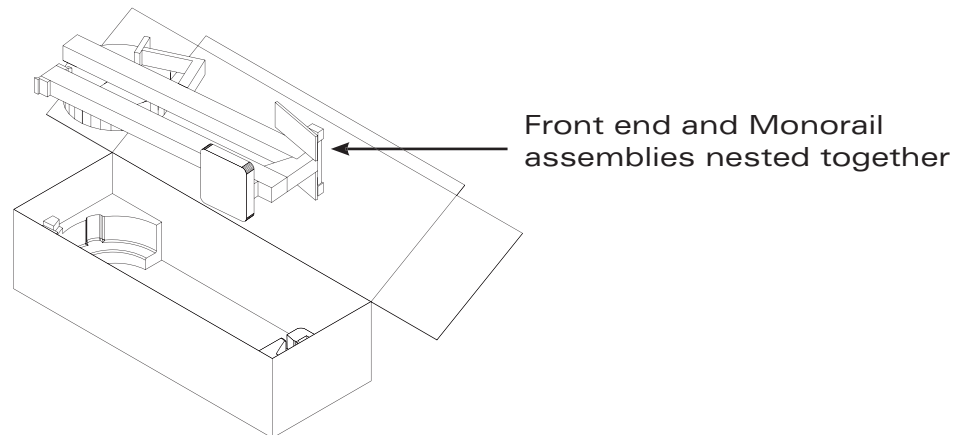
TOOLS NEEDED: hex allen wrench
fiber packing tape

STEP 1 - Remove and disassemble the front legs.

STEP 2



STEP 3



STEP 4

